

Loader Bracket Dimension Sheet



To suit:

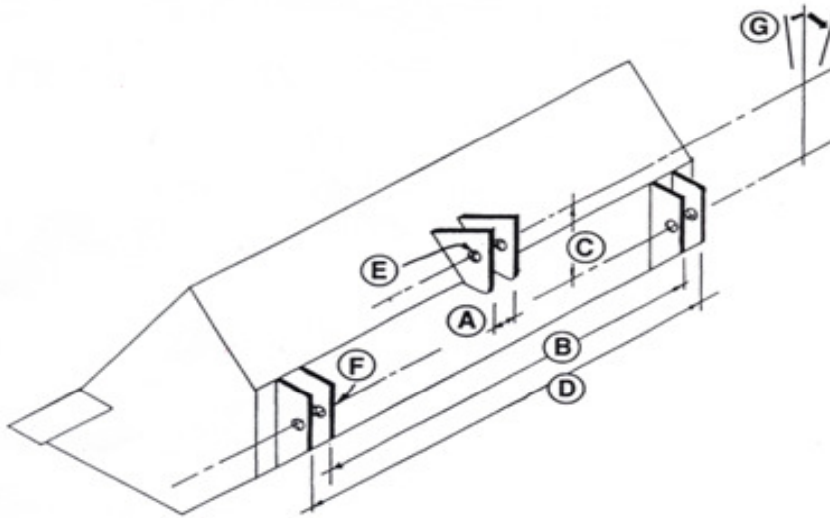
System 10 Loader Adaptor

Compact Series Soft Hands

Mega Series Soft Hands

Loader Brand: _____

Model: _____



- | | | | | | |
|---|--|-------|---|----------------------------|-------|
| A | Gap between Crowd Plates | _____ | B | Width outside inner plates | _____ |
| C | Bucket Pin Centres | _____ | D | Width inside outer plates | _____ |
| E | Pin Size (Crowd) | _____ | F | Pin size (arms) | _____ |
| G | Note angle if holes are not vertical when bucket is flat on the ground | | | | |

Single crowd

Crowd ram above arms

Twin crowd

Crowd ram below arms

Date: _____ Order Number: _____

Name: _____

Address: _____

Phone Number: _____ Fax Number: _____

Please fax this sheet to: 06 879 9016 or email to jerry@hust-equipment.co.nz
 No responsibility for verbal instructions